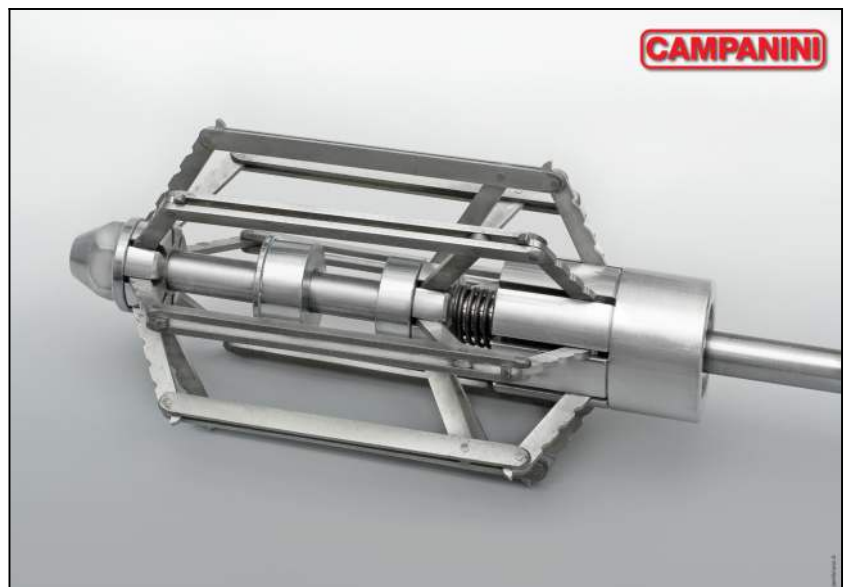


TYPE	SIZE LxD
FR45-64	45x64
FR45-67	45x67
FR50-76	50x76
FR50-90	50x90
FR70-76	70x76
FR70-90	70x90
FR90-76	90x76
FR90-90	90x90
FR100-76	100x76
FR100-90	100x90
FR110-76	110x76
FR110-90	110x90
FR130-90	130x90

F.R. VERSIONE DIM.137

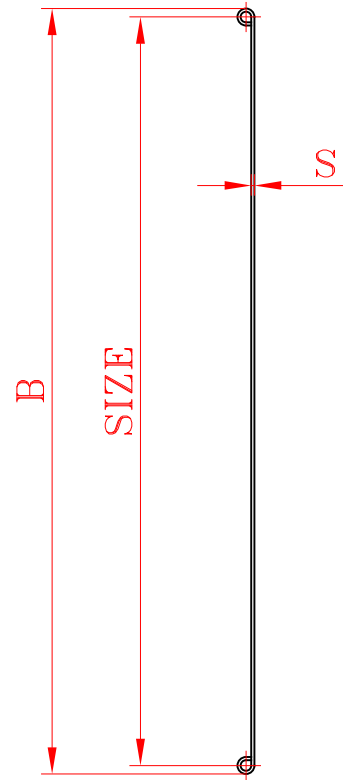
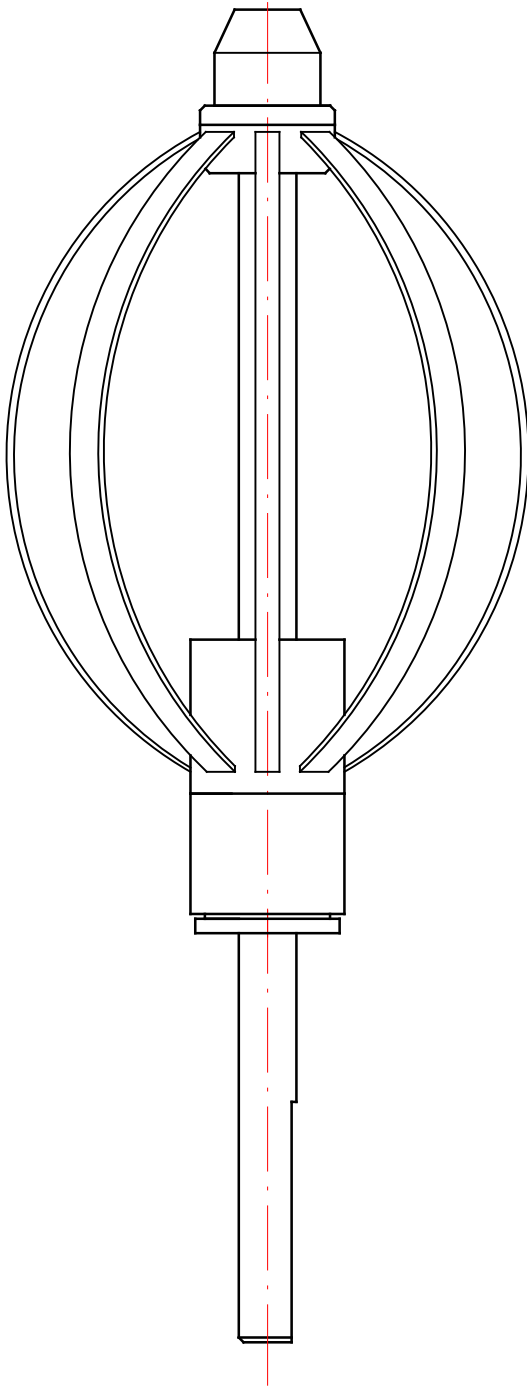
RIGID COLLAPSIBLE EXPANSION MANDRELS
FUSI RIGIDI AD ESPANSIONE A BACCHETTE



CAMPANINI

MACCHINE TESSILI - GOMITOLATRICI
via Borrini 6 - PERNATE (NO) - ITALIA

NR.DIS. F.R. LxøD



F.U. VERSIONE DIM.137
 SPRING MANDRELS WITH FABRIC CAPS
 FUSI A MOLLA CON CUFFIE IN TESSUTO



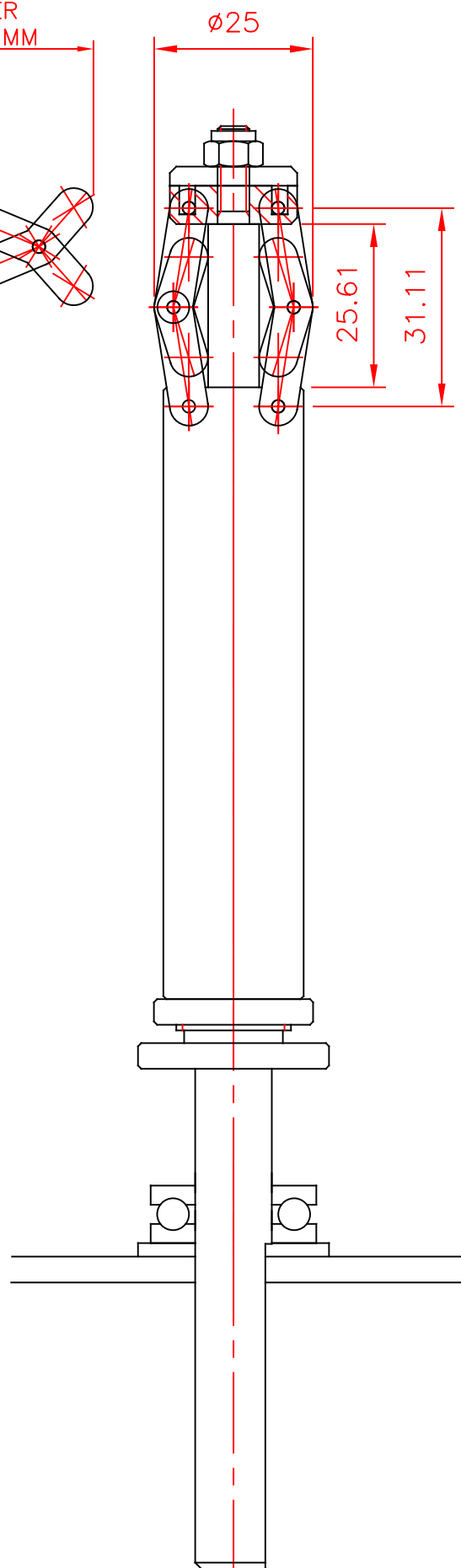
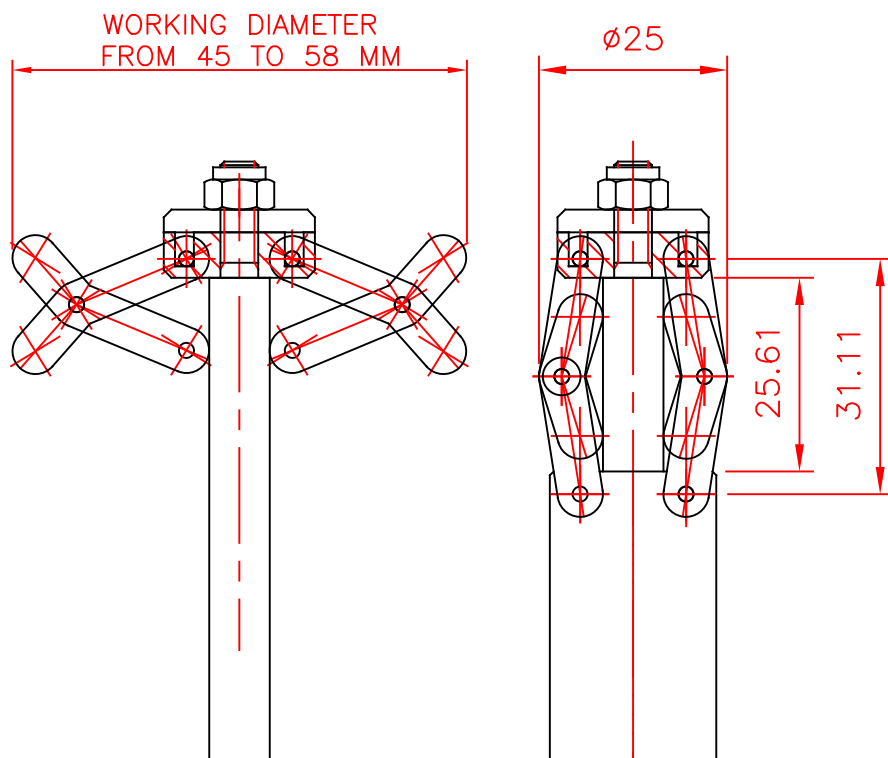
210	0.8	215
200	0.8	205
190	0.8	195
180	0.8	185
170	0.6	174
155	0.6	159
140	0.6	144
130	0.6	134
120	0.6	124
110	0.5	104
100	0.5	94
85	0.5	89
SIZE	S	B

CAMPANINI

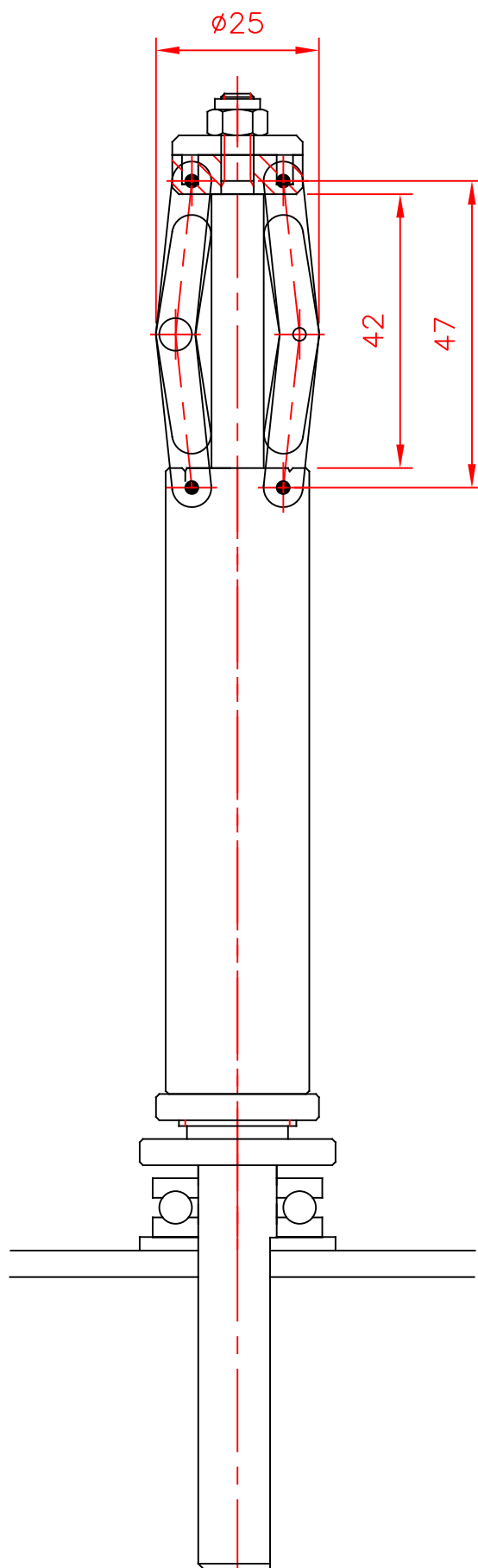
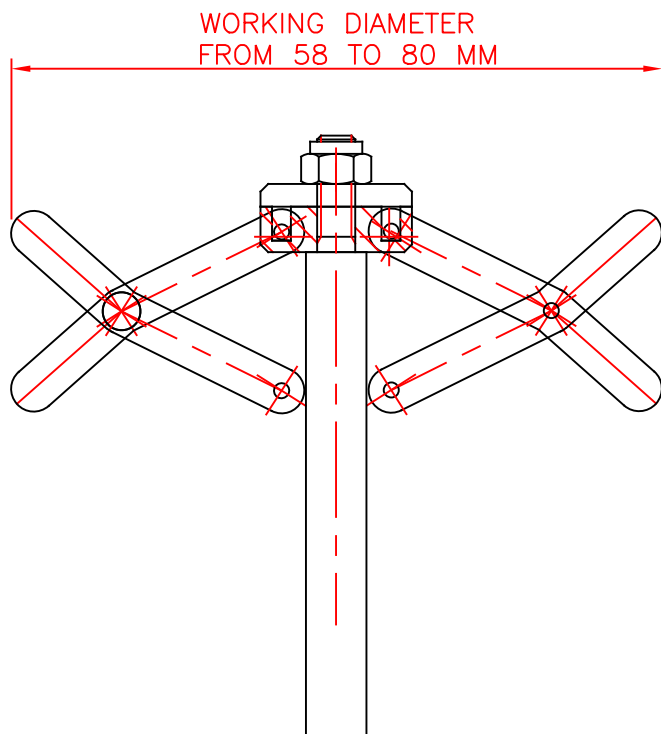
MACCHINE TESSILI – GOMITOLATRICI
 via Borrini 6 – PERNATE (NO) – ITALIA

NR.DIS. F.U. SIZE

TYPE C60 CROSS EXPANSION MANDREL
FOR INNER CORE TUBES WITH INTERNAL DIAMETER FROM MM.45 TO MM.58



TYPE C85 CROSS EXPANSION MANDREL
FOR INNER CORE TUBES WITH INTERNAL DIAMETER FROM MM.58 TO MM.80



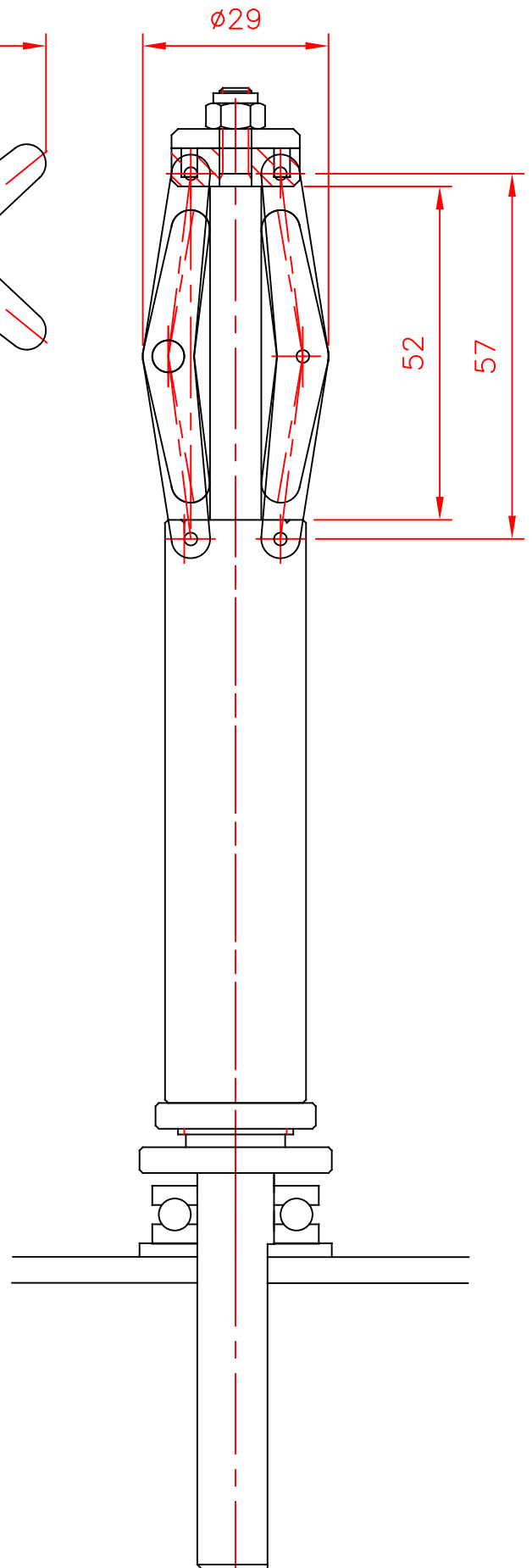
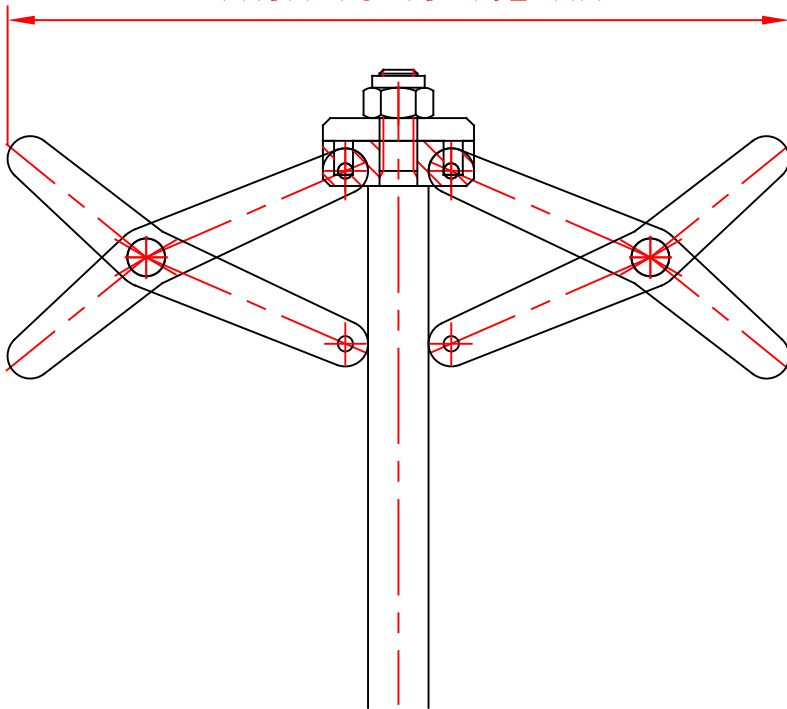
CAMPANINI

MACCHINE TESSILI - GOMITOLATRICI
via Borrini 6 - PERNATE (NO) - ITALIA

NR.DIS. 245.27.1085

TYPE C95 CROSS EXPANSION MANDREL
FOR INNER CORE TUBES WITH INTERNAL DIAMETER FROM MM.75 TO MM.102

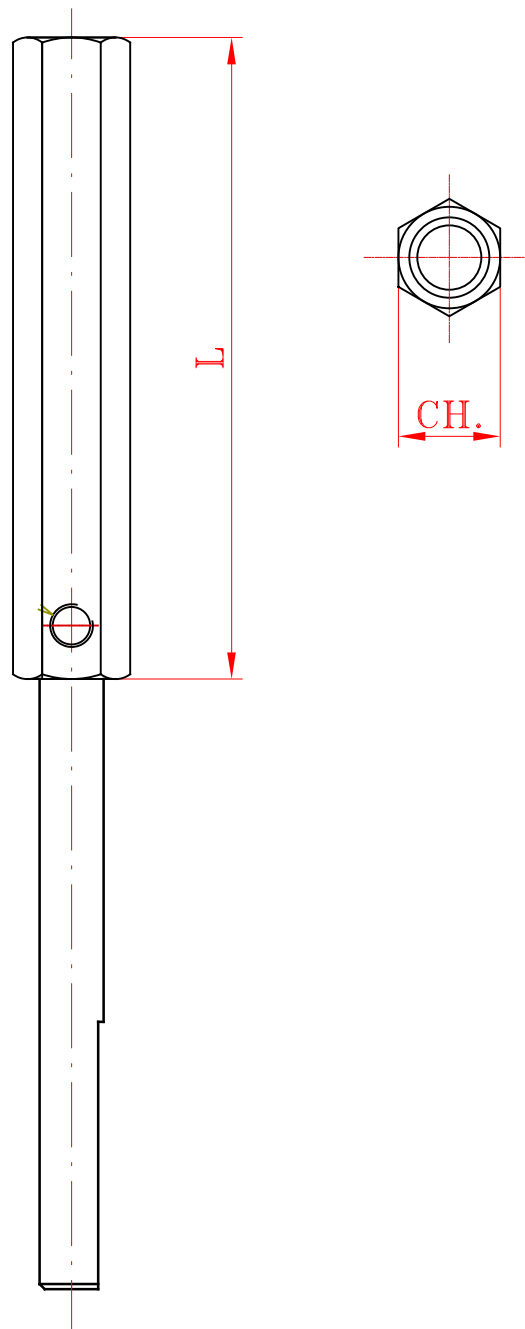
WORKING DIAMETER
FROM 75 TO 102 MM



CAMPANINI

MACCHINE TESSILI - GOMITOLATRICI
via Borrini 6 - PERNATE (NO) - ITALIA

NR.DIS. 245.27.1095



HEX

FIXED HEXAGONAL MANDRELS
FUSI ESAGONALI FISSI

ALTRE MISURE A RICHIESTA
OTHER SIZES UPON REQUEST

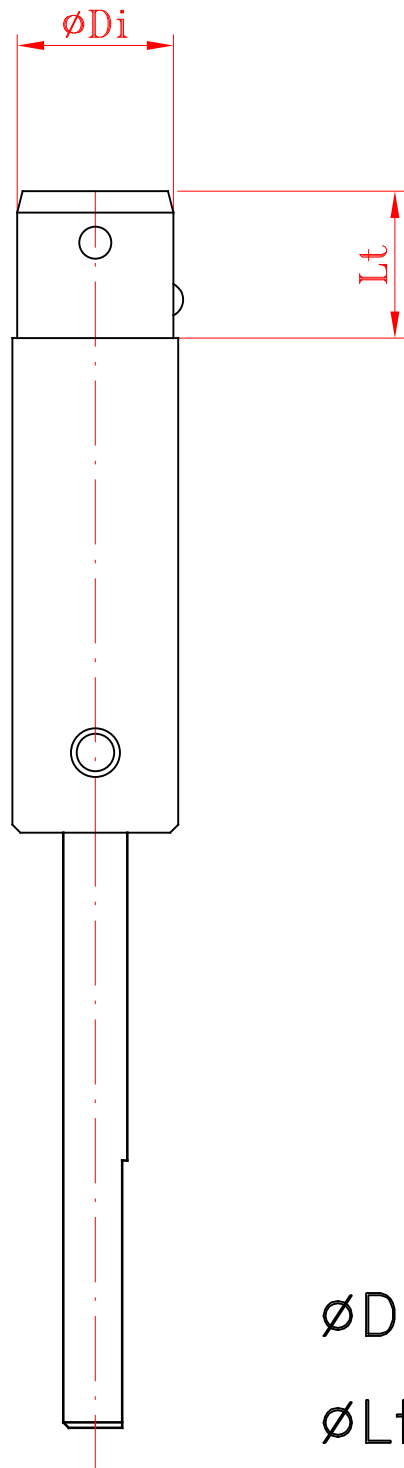
HEX. 19x120	19	120
HEX. 22x120	22	120
HEX. 24x120	24	120
HEX. 27x120	27	120
SIZE	CH.	L

STANDARD SIZES
MISURE STANDARD

CAMPANINI

MACCHINE TESSILI - GOMITOLATRICI
via Borroni 6 - PERNATE (NO) - ITALIA

NR.DIS. HEX. SIZE



$\varnothing Di$ DIAMETRO INTERNO TUBETTO
INTERNAL DIAMETER OF THE INNER CORE

$\varnothing Lt$ LUNGHEZZA TUBETTO
LENGTH OF THE INNER-CORE

R

CYLINDRIC FIXED MANDRELS WITH BALLS
FUSI FISSI CILINDRICI A SFERA

COSTRUITI SECONDO LE DIMENSIONI DEL TUBETTO FORNITO DAL CLIENTE

MANUFACTURED ACCORDING TO DIMENSIONS OF THE INNER-CORES PROVIDED BY THE CUSTOMER

CAMPANINI

MACCHINE TESSILI - GOMITOLATRICI
via Borrini 6 - PERNATE (NO) - ITALIA

NR.DIS. R. SIZE