

TYPE	SIZE LxØ
FR150-90	150x90
FR170-100	170x100
FR190-100	190x100
FR200-100	200x100
FR230-100	230x100
FR230-110	230x110
FR260-110	260x110
FR260-120	260x120

F.R. VERSIONE SCT_400

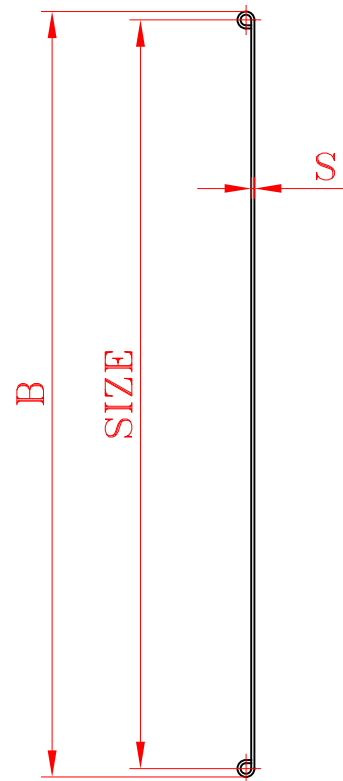
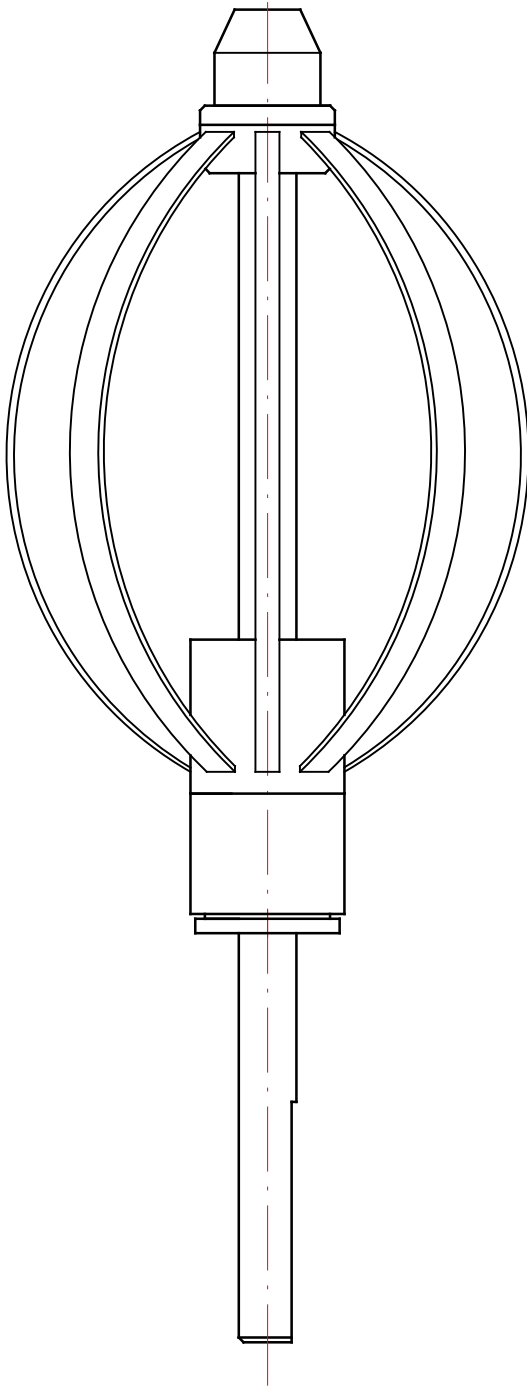
RIGID COLLAPSIBLE EXPANSION MANDRELS
FUSI RIGIDI AD ESPANSIONE A BACCHETTE



CAMPANINI

MACCHINE TESSILI – GOMITOLATRICI
via Borrini 6 – PERNATE (NO) – ITALIA

NR.DIS. F.R. LxØ



F.U. VERSIONE SCT_400
 SPRING MANDRELS WITH FABRIC CAPS
 FUSI A MOLLA CON CUFFIE IN TESSUTO



340	1.0	345
320	1.0	325
300	1.0	305
280	1.0	285
260	1.0	265
250	1.0	255
240	1.0	245
230	1.0	235
220	0.8	225
210	0.8	215
200	0.8	205
190	0.8	195
180	0.8	185
170	0.6	174
SIZE	S	B

CAMPANINI

MACCHINE TESSILI – GOMITOLATRICI
 via Borrini 6 – PERNATE (NO) – ITALIA

NR.DIS. F.U. SIZE